

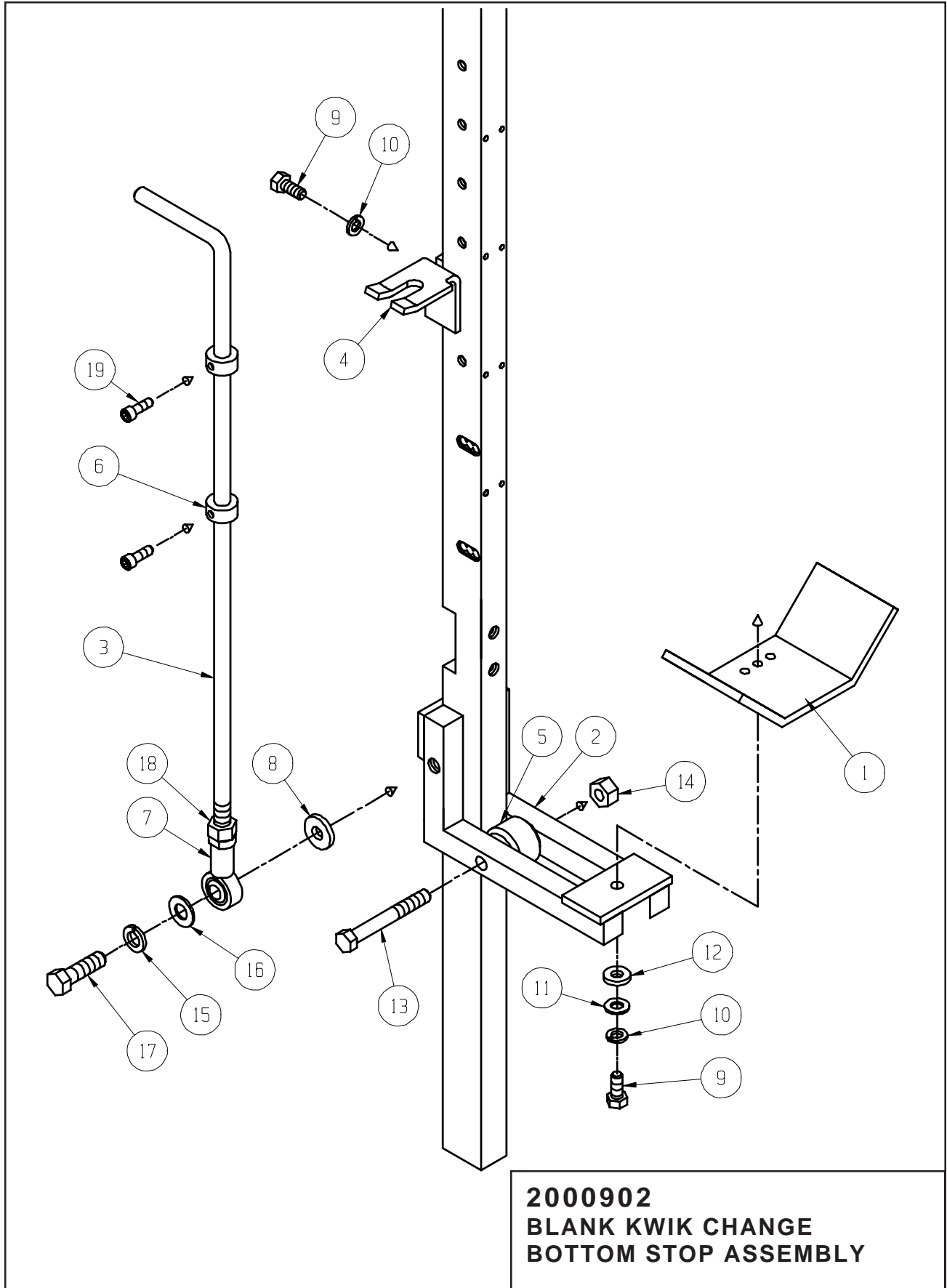
Plemons Options



2000902

**BLANK KWIK CHANGE
BOTTOM STOP ASSEMBLY**

ITEM	PART NO.	DESCRIPTION	QTY.
1	0030902	STOP BLANK BOTTOM	2
2	0050100	BLANK BOT., STOP QUICK CHANGE	2
3	0050200	ARM, QUICK CHANGE ADJUSTING	2
4	0072500R/L	BRACKET, QUICK CHANGE	1/1
5	0050400	ROLLER QUICK CHANGE	2
6	0100200	SET COLLAR 7/16	4
7	0501000	ROD END 7/16	2
8	1500101	WASHER	2
9	8008200	5/16-18 NC HEX HD CAP X 3/4	4
10	8036700	5/16 LOCK WASHERS	4
11	8035800	5/16 FLAT WASHERS	2
12	1501100	WASHER	2
13	8010800	3/8-16 X 3 HEX HD BOLT	2
14	8025700	3/8-16 NC FIBER LOCK NUT	2
15	8036900	7/16 LOCK WASHER	2
16	8036000	7/16 FLAT WASHER	2
17	8011900	7/16 NC X 1 1/2 HEX HD BOLT	2
18	8023300	7/16NF HEX NUT	2
19	8031400	1/4 NC SOCKET HD CAP SCR X 3/4	4



2000902
BLANK KWIK CHANGE
BOTTOM STOP ASSEMBLY

Parts List & Illustrations