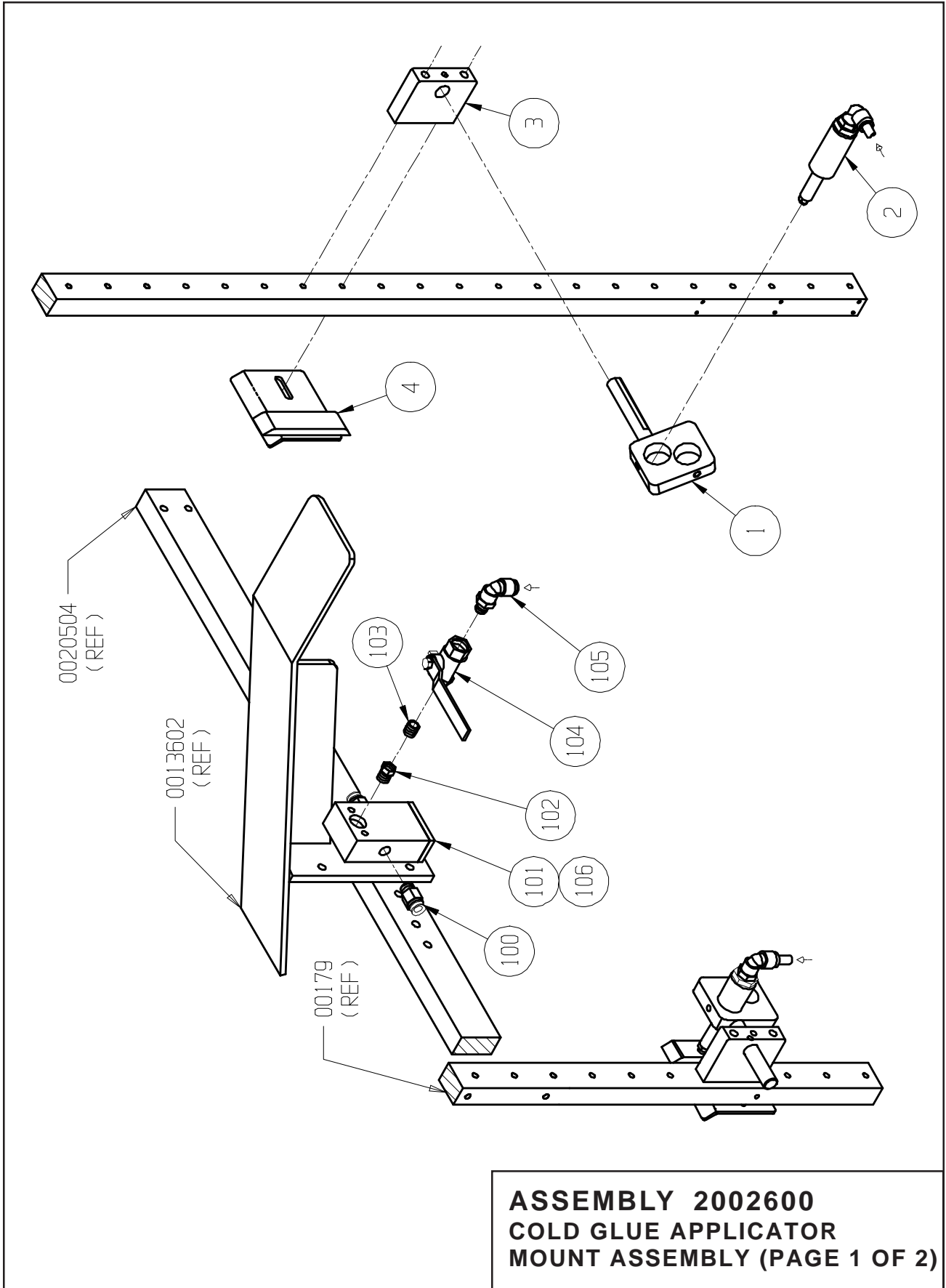


Plemons Options



ASSEMBLY 2002600 COLD GLUE APPLICATOR MOUNT ASSEMBLY (PAGE 1 OF 2)

ITEM	PART NO.	DESCRIPTION	QTY.
1	0056300R/L	APPLICATOR, DOUBLE MOUNT	1/1
2	0056500	APPLICATOR NOZZLE, COLD GLUE	2
3	0056400	APPLICATOR, TREE MOUNT	2
4	0063700R/L	DEFLECTOR, COLD GLUE	1/1
100	1804100	FITTING, BRASS (STRAIGHT)	4
101	0056800	MANIFOLD, STRAINER BODY	1
102	1805900	REDUCING BUSHING, 1/2" TO 1/4"	2
103	1805700	NIPPLE, 1/2" SCH 80	2
104	1811800	1/4" BALL CHECK VALVE	1
105	1804000	FITTING, BRASS (ELBOW 90°)	4
106	0056801	STRAINER ELEMENT, #50 MESH	1



Plemons Options



ASSEMBLY 2002600 COLD GLUE PUMP ASSEMBLY (PAGE 2 OF 2)

ITEM	PART NO.	DESCRIPTION	QTY.
1	0051000	PLATE, MOUNTING	1
2	0056600	PUMP "ARO", DIAPHRAM	1
3	1805900	REDUCING BUSHING, 1/2" TO 1/4"	REF
4	0037300	POLYPROPYLENE TUBING-36"	1
5	1805800	1/2 NPT SCH 80, CUT 45° X 36" LG	1
6	0059000	AIR REGULATOR-FILTER,0-160 PSI	1
7	1805700	NIPPLE, 1/2" SCH 80	REF
8	1804100	FITTING, BRASS (STRAIGHT)	REF
9	1805600	90 DEG ELBOW-1/2 NPT SCH 80	1
10	1815100	BRASS FITTING	1
11	0051100	RUBBER GASKET INLET KIT	1
12	1804000	FITTING, BRASS (ELBOW 90°)	REF
100	8007000	1/4-20 HEX HD CAP SCR X 1	4
101	8035700	1/4 SAE FLAT WASHER	8
102	8036600	1/4 STD LOCK WASHER	4
103	8024300	1/4-20 HEX HD NUT	4

