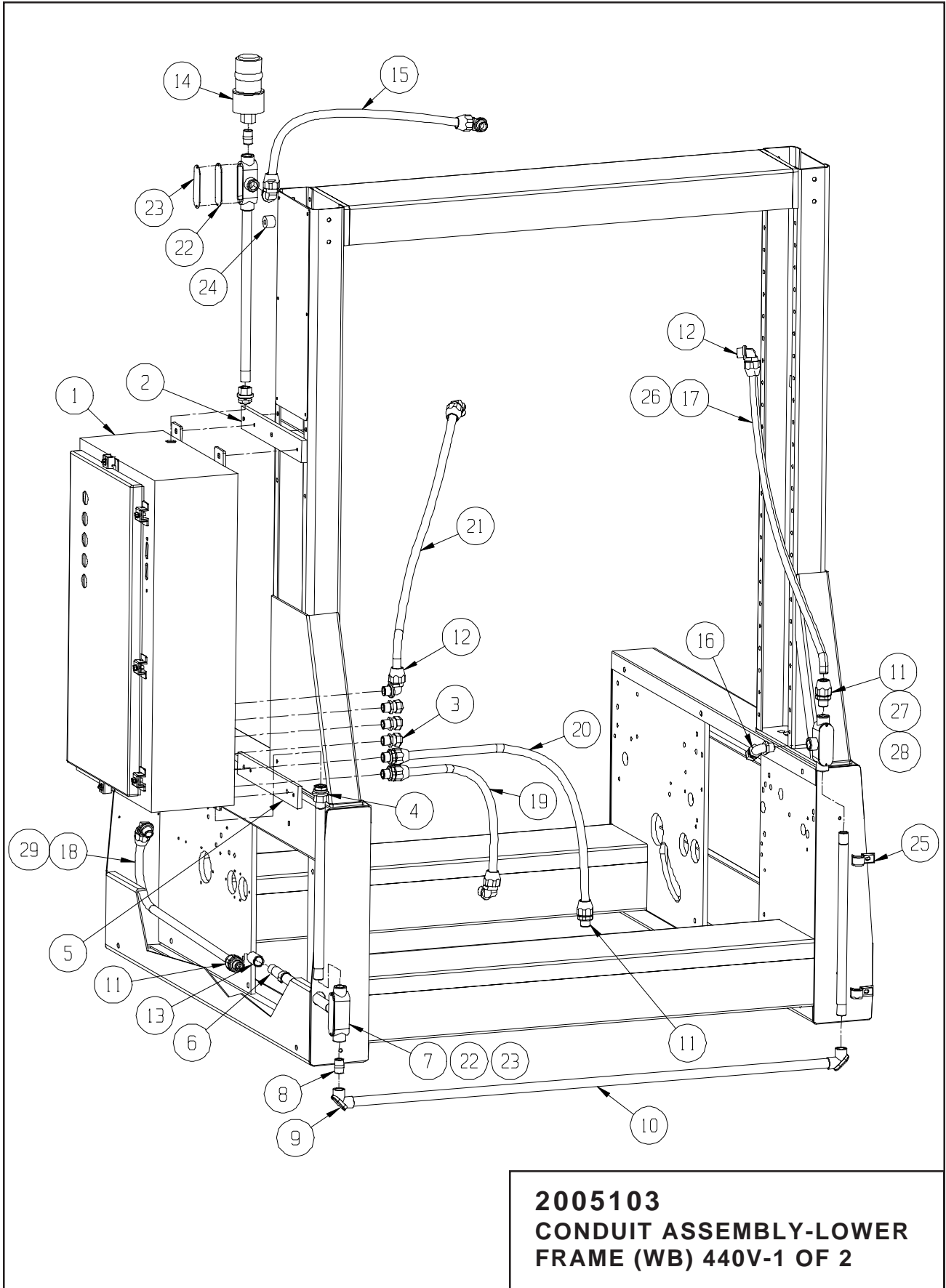


# Plemons Options



## 2005103 CONDUIT ASSEMBLY-LOWER FRAME (WB) 440V-1 OF 2

ITEM	PART NO.	DESCRIPTION	QTY.
1	0014810	ENCLOSURE, ELECTRICAL PANEL	REF
2	0032100	BAR, TOP ELECTRICAL	REF
3	1802500	CONNECTOR, CORD .25-.35	REF
4	1801800	HUB, 1/2" T&BH050	2
5	0032000	BAR, BTM ELECTRICAL	REF
6	1805200	16 1/2" NIPPLE	3
7	1800900	1/2" ALUM TEE CONDUIT BODY	3
8	1802000	1/2" NIPPLE	2
9	1800400	1/2" PULLING ELL	2
10	1805000	59" NIPPLE (WB)	1
11	1802700	3/8 NON-METALIC STR RELIEF	4
12	1802800	3/8 90 DEG NM CONNECTOR	5
13	1801900	1/2" COUPLING	1
14	0401100	LIGHT	REF
15	1802900	3/8 BLACK LIQUID TIGHT	REF
16	1802400	CONN-CORD .25-.375-90 DEG	1
17	1802900-1	3/8 BLACK LIQUID TIGHT	REF
18	1802900-2	3/8 BLACK LIQUID TIGHT (37")	REF
19	1802900-3	3/8 BLACK LIQUID TIGHT	REF
20	1802900-4	3/8 BLACK LIQUID TIGHT	REF
21	1802900-5	3/8 BLACK LIQUID TIGHT	REF
22	1800800	GASKET	3
23	1800600	COVER	3
24	0201100	BUSHING	REF
25	1802100	CONDUIT CLAMPS	3
26	1803400	BLACK 14 GA. WIRE (193")	2
27	1803600	WHITE 14 GA. WIRE (135")	1
28	1803400	BLACK 14 GA. WIRE (135")	1
29	1803500	RED 14 GA. WIRE (120")	3



# Plemons Options



## 2005103 CONDUIT ASSEMBLY-LOWER FRAME (WB) 440V-2 OF 2

ITEM	PART NO.	DESCRIPTION	QTY.
1	1400606	TRANSFORMER	REF
2	0055800	BRACKET-TRANSFORMER UPPER	REF
3	0055700	MOUNT-TRANSFORMER LOWER	REF
100	8008300	5/16-18 HEX HD CAP SCR X 1	REF
101	8036700	5/16 STD LOCK WASHER	REF
102	1501700	WASHER	REF
103	8004900	5/16-18 SCKT FLAT HD SCR X 1 1/4	REF
104	8024400	5/16-18 HEX NUT	REF
105	1801800	1/2" HUB T&BHIO50	1
106	1802001	1/2" PIPE NIPPLE X 2	2
107	1800400	1/2" PULLING ELL.	2
108	1805201	9 1/2 " PIPE	1
109	1800500	1/2" ALUM. X CONDUIT	1
110	1800600	1/2" ALUM. COVER	1
111	1800800	1/2 NEOPRENE GASKET	1

