



## ***Missing Body Wrap & End Panel Sensor Assemblies***

### **INTRODUCTION**

This section lists and illustrates the replaceable assemblies and parts of the Bliss Box Former by We Plemons Machinery Services Inc. Each parts list contains the component parts for that assembly.

### **Index**

#### *FIGURE / DESCRIPTION*

---

#### **FIGURE 9-1A**

BODY PANEL  
MISSING SENSOR

#### **FIGURE 9-2A**

END PANEL  
MISSING SENSOR

#### **FIGURE 9-3A**

MANDREL ASSEMBLY  
CORNER POST

#### **FIGURE 9-4A**

MISSING PANEL SENSOR  
LIMIT SWITCH & CAM

#### **FIGURE 9-5A**

LATCH RELAY  
MISSING PANEL SENSOR

## ***Illustrated Parts***

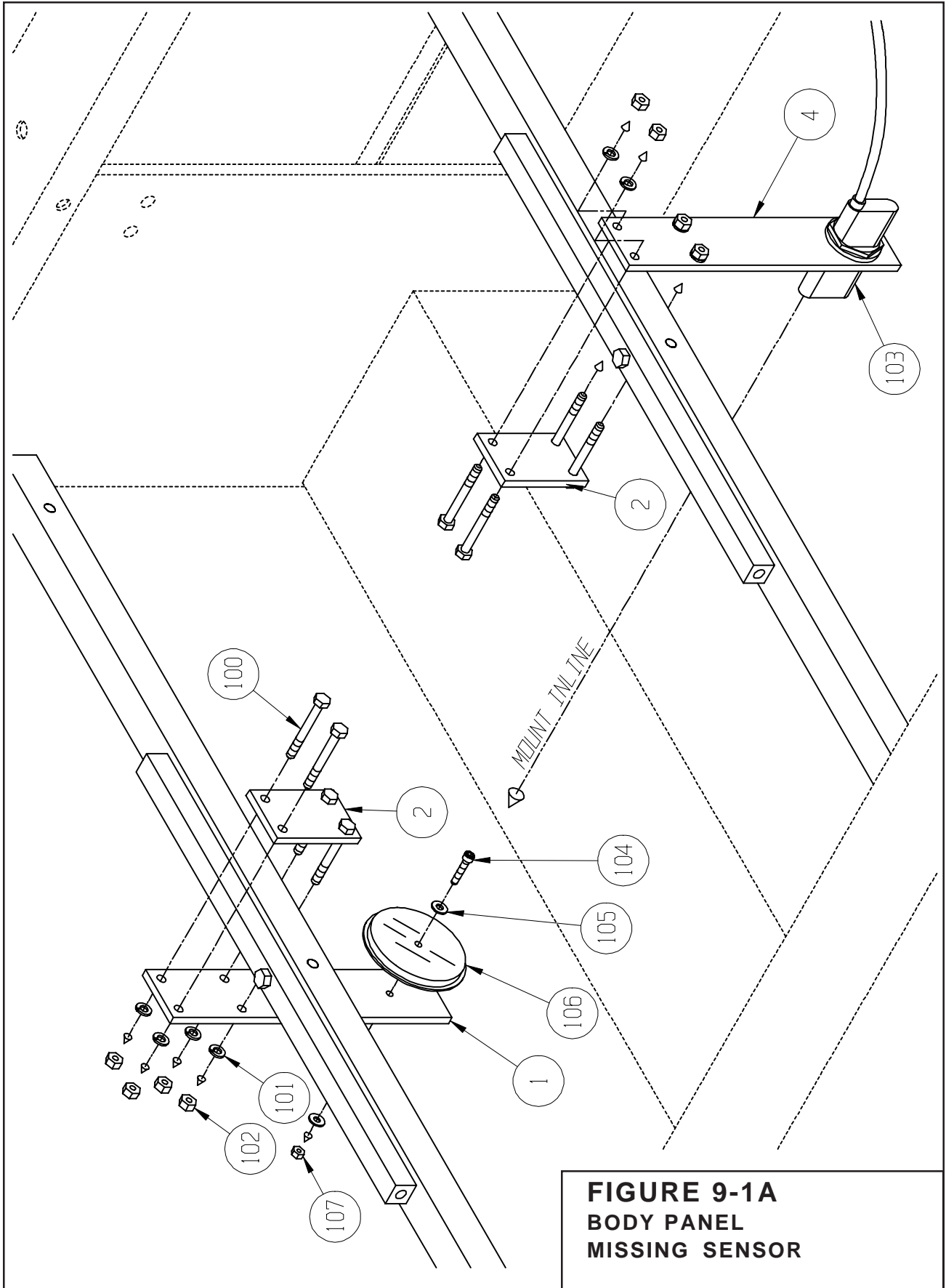
**See Next Page**

# Bliss Box Former



**FIGURE 9-1A**  
**BODY PANEL MISSING SENSOR**

ITEM	PART NO.	DESCRIPTION	QTY.
1	2120400	BAR, MOUNTING	1
2	2120500	BRACKET, BOLTING	2
4	2120600	BAR, MOUNTING	1
100	8008800	5/16-18NC HEX HD CAP SCR X 2 1/4	8
101	8036700	5/16 STD LOCK WASHER	8
102	8024400	5/16-18NC STD HEX NUT	8
103	1822800	SENSOR	1
104	8030700	#10-32NF SCKT HD CAP SCR X 1	1
105	8035600	#10 SAE FLT WASHER	2
106	1823100	REFLECTOR	1
107	8024100	#10-32NF STD HEX NUT	1



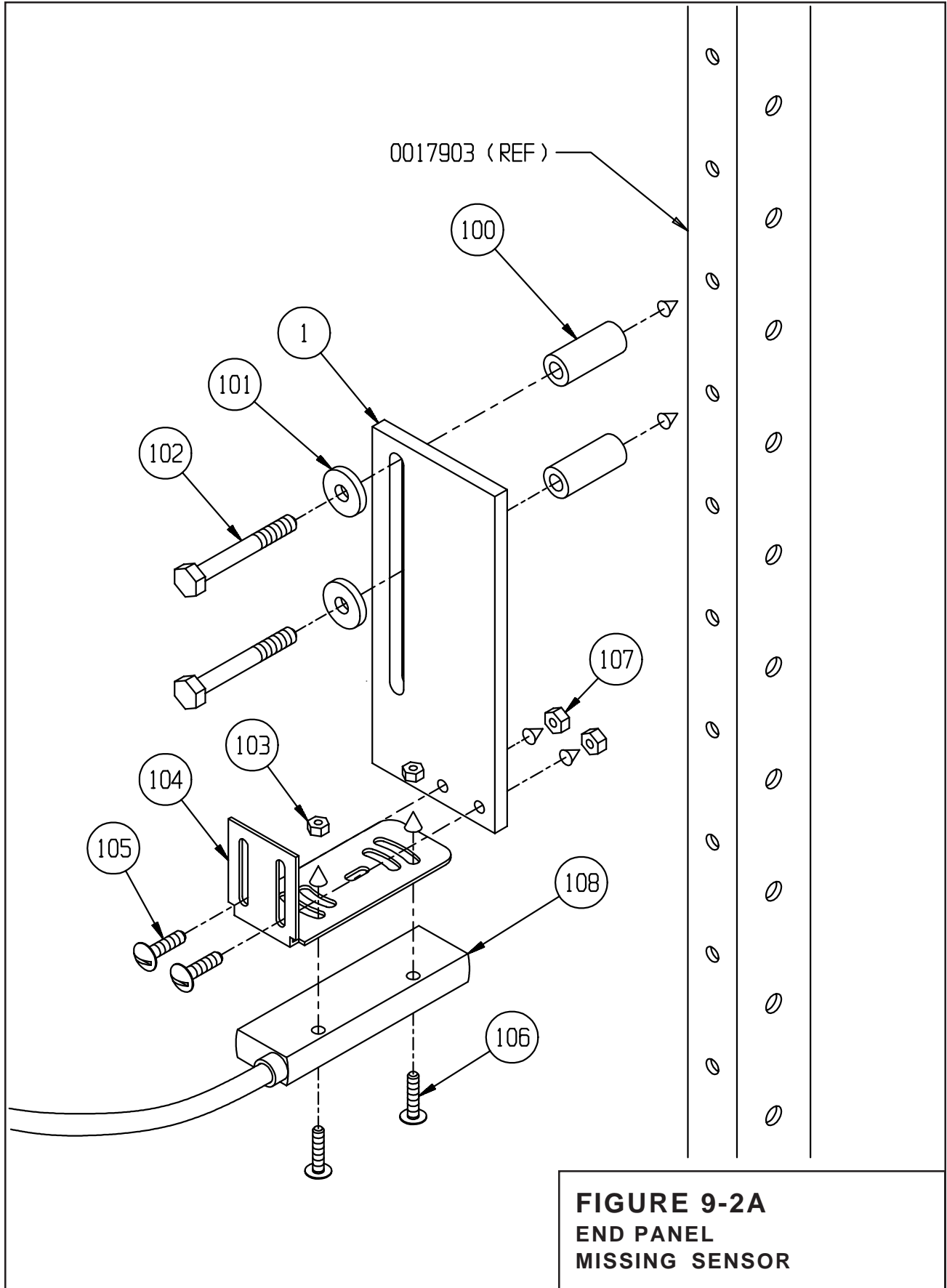
**FIGURE 9-1A**  
**BODY PANEL**  
**MISSING SENSOR**

# Bliss Box Former



**FIGURE 9-2A**  
**END PANEL MISSING SENSOR**

ITEM	PART NO.	DESCRIPTION	QTY.
1	2120700	BRACKET, MOUNTING	2
100	0206800	BUSHING	4
101	1501500	WASHER	4
102	8009100	5/16-18NC HEX HD CAP SCR X 3	4
103	8025300	#10-32NF FIBER LOCK NUT	4
104	1822900	BRACKET, UNIVERSAL	2
105	8017000	#10-32NF ROUND SLOT SCR X 3/4	4
106	8016500	#8-32NC ROUND SLOT SCR X 3/4	4
107	8025200	#8-32NC FIBER LOCK NUT	4
108	1822800	SENSOR	2

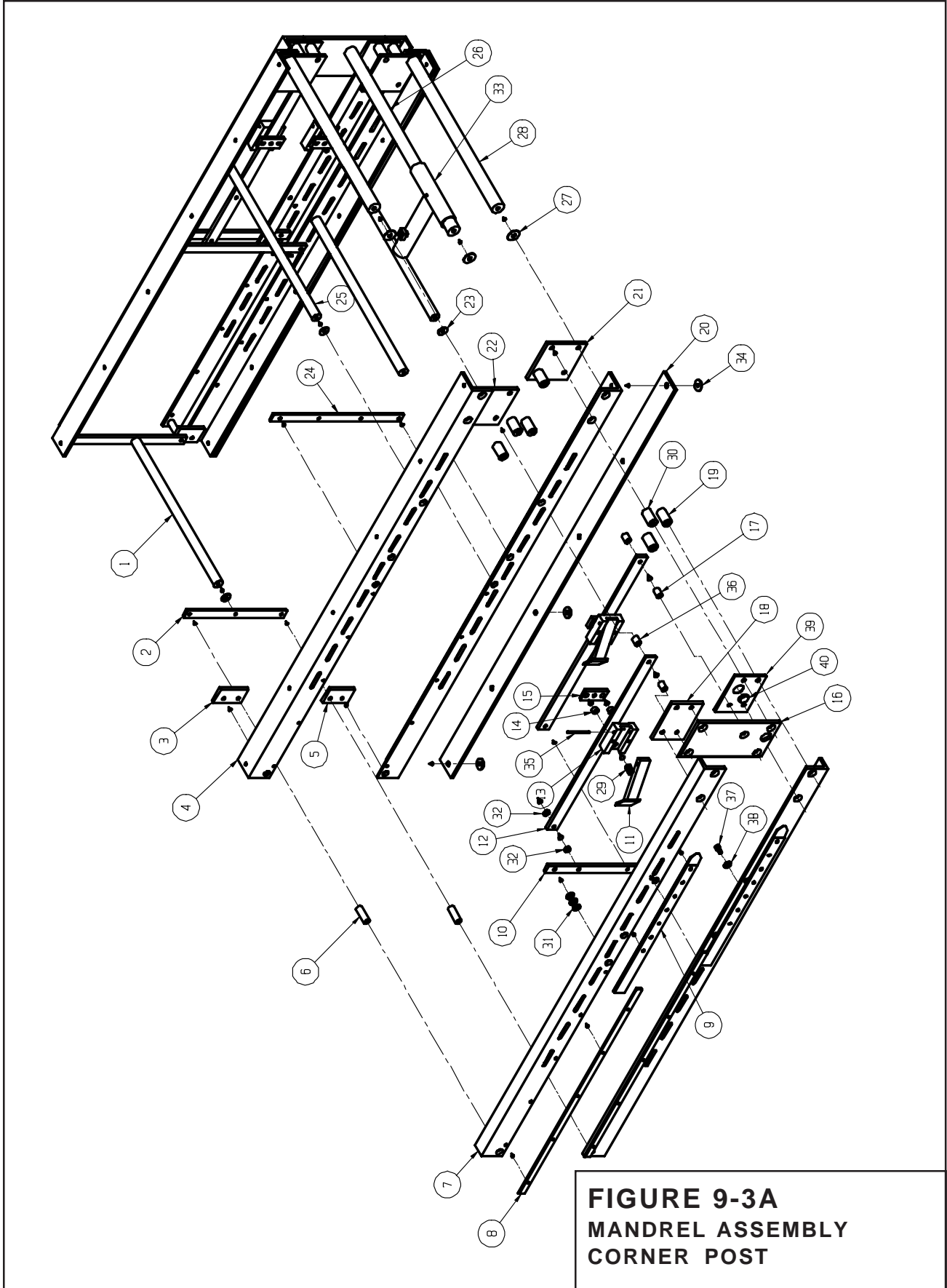


# Bliss Box Former



**FIGURE 9-3A**  
**MANDREL ASSEMBLY**  
**CORNER POST**

ITEM	PART NO.	DESCRIPTION	QTY.
1	0075001	BAR, REAR MANDREL SPREADER	REF
2	0074901	BRACE, REAR INSIDE VERTICLE	REF
3	0035303	PLATE, MANDREL-TOP REAR	REF
4	0081800R/L	MANDREL RAIL, INNER	REF
5	0035302	PLATE, MANDREL, BTM REAR	REF
6	0063200	SPACER, REAR MOUNT	REF
7	0081802R/L	MANDREL RAIL, OUTER	REF
8	0017209	GIB, 3/16"	REF
9	0011900	PICK, 3/16"	REF
10	0074000	BRACE, OUTSIDE VERTICLE	REF
11	0043507	END PICK PAWL	REF
12	0043411	STRIP- END PICK	REF
13	0043301	BLOCK, END PICK PAWL MT	REF
14	0202000	BUSHING	REF
15	0029700	CLAMP, REAR CROSSMEMBER	REF
16	0074800R/L	PLATE, MANDREL SIDE	1/1
17	0202400	BUSHING	REF
18	0011800	PLATE, MANDREL CON	REF
19	0063300	SPACER, MANDREL	REF
20	0081900	STRIP, MANDREL WEAR	REF
21	0011801	PLATE, MANDREL BTM CON	REF
22	0011802	PLATE, MANDREL TOP CON	REF
23	1502500	WASHER	REF
24	0074900	BRACE, INSIDE VERTICLE	REF
25	0075000	BAR, MANDREL SPREADER	REF
26	0075100	SHAFT, PIVOT	REF
27	1502300	WASHER	REF
28	0075200	BAR, MANDREL SPREADER-ALUM	REF
29	1200200	SPRING	REF
30	0063300	SPACER, MANDREL	REF
31	8035700	1/4 SAE FLAT WASHER	REF
32	0201300	BUSHING	REF
33	0035600	WELDMT, CON ROD END	REF
34	1502100	WASHER	REF
35	0700305	ROLL PIN	REF
36	0203500	BUSHING	REF
38	1501500	WASHER	REF
39	0011803R/L	PLATE, REFLECTOR MT.	1/1
40	1823000	REFLECTOR	2



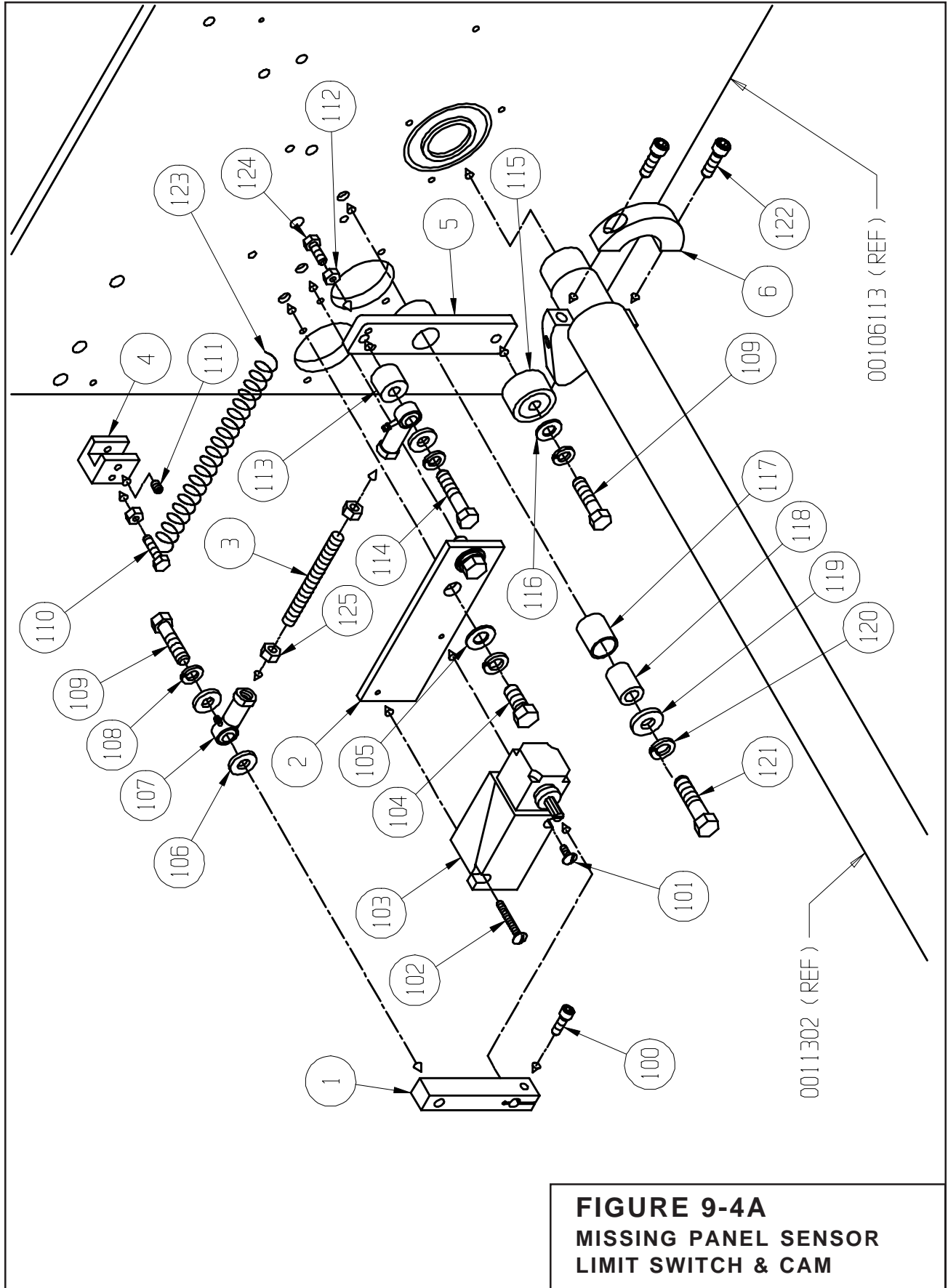
# Bliss Box Former



**FIGURE 9-4A**  
**MISSING PANEL SENSOR LIMIT**  
**SWITCH & CAM**

ITEM	PART NO.	DESCRIPTION	QTY.
1	0059600	ARM, LIMIT SWITCH	1
2	0058700	MOUNT, LIMIT SWITCH	1
3	0059500	LEVER, POWER OUTFEED	1
4	0058600	MOUNT, LIMIT SWITCH SPRING	1
5	0059400	WELDMENT, CAM PIVOT ARM	1
6	0060102	CAM, LITE SENSOR	1
100	8006900	1/4-20NC SCKT HD CAP SCR X 3/4	1
101	8016900	#10-32NF ROUND SLOT SCR X 1/2	1
102	8017300	#10-32NF ROUND SLOT SCR X 1 1/2	1
103	0060200	LIMIT SWITCH	1
104	8011700	7/16-14NC HEX HD CAP SCR X 1	2
105	8036000	7/16 SAE FLT WASHER	1
106	1500200	WASHER	3
107	0501001	3/8 ROD END	2
108	8036800	3/8 STD LOCK WASHER	3
109	8010200	3/8-16NC HEX HD CAP SCR X 1 1/2	2
110	8007000	1/4-20NC HEX HD CAP SCR X 1	1
111	8026700	1/4-20NC CUP PT SET SCR X 3/8	1
112	8024300	1/4-20NC STD HEX NUT	2
113	0204600	BUSHING	1
114	8010300	3/8-16NC HEX HD CAP SCR X 1 3/4	1
115	0500700	3/8 ROLLER BEARING	1
116	8035900	3/8 SAE FLT WASHER	1
117	0200100	BUSHING, BRONZE	1
118	0203000	BUSHING	1
119	1500100	WASHER	1
120	8036900	7/16 STD LOCK WASHER	1
121	8012000	7/16NC HEX HD CAP SCR X 1 3/4	1
122	8032700	5/16-18NC SCKT HD CAP SCR X 1	2
123	1202700	SPRING	1
124	8006900	1/4-20NC HEX HD CAP SCR X 3/4	1
125	8023200	3/8-24NF STD HEX NUT	2

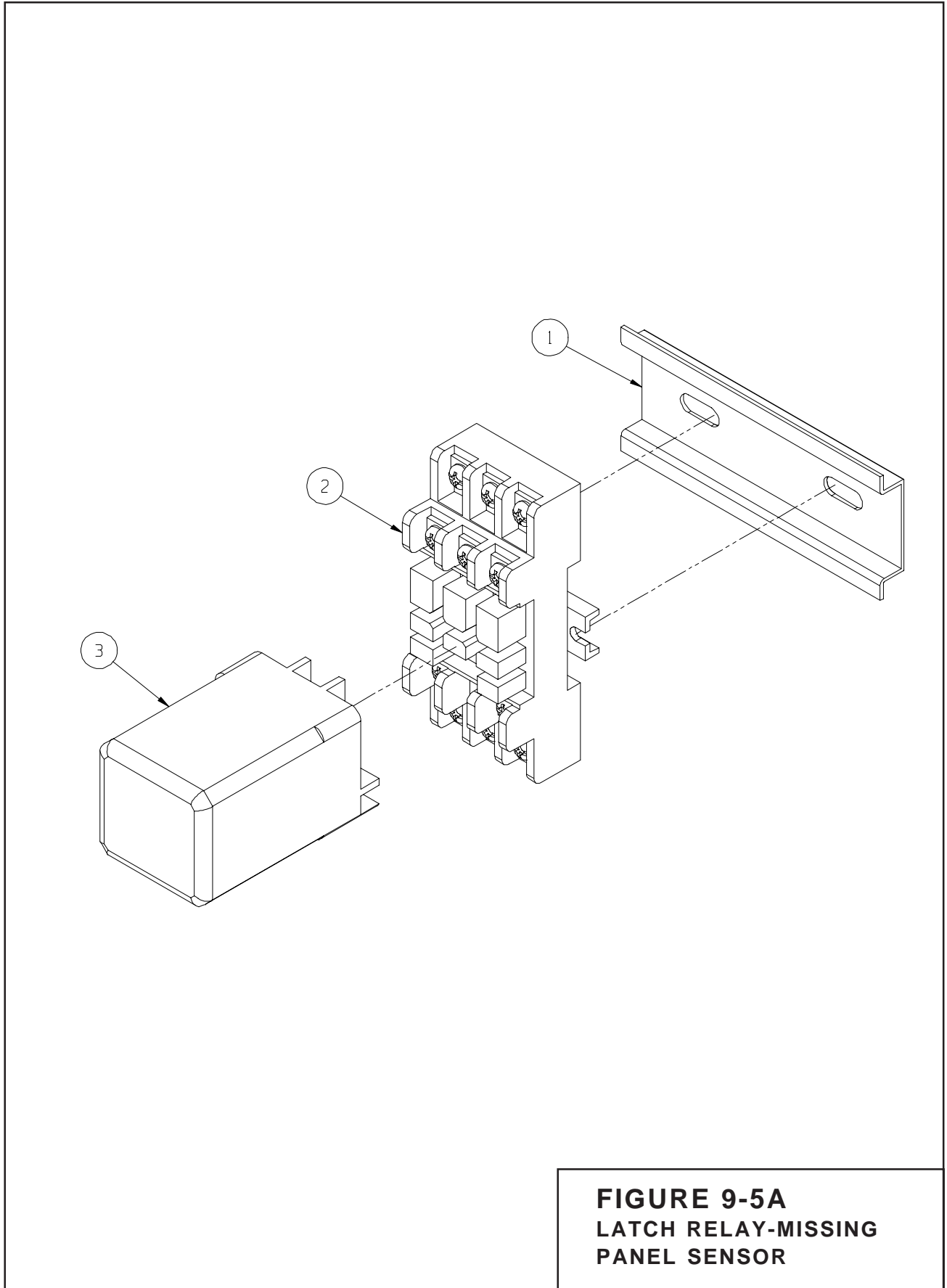




## FIGURE 9-5A LATCH RELAY-MISSING PANEL SENSOR

ITEM	PART NO.	DESCRIPTION	QTY.
1	1800300	DIN MOUNTING RAIL	1
2	1400202	SOCKET SPADE PIN PLG	1
3	0401004	RELAY, LATCHING	1
*4	1800200	TERMINAL JUMPER	1

\* Not Shown



**FIGURE 9-5A**  
LATCH RELAY-MISSING  
PANEL SENSOR

# Bliss Box Former

---



**THIS PAGE IS BLANK**