

Tray Box Former



FIGURE 8-28A RAIL & FINGER ASSEMBLY AUTO LIDDER

ITEM	PART NO.	DESCRIPTION	QTY.
1	0032700	BAR, LID HOPPER GUIDE MT (34")	1
~	0032701	BAR, LID HOPPER GUIDE MT (42")	1
2	0061300	SUPPORT PAD, LIDDER	1
3	0033800	LEFT RAIL, LONG LID HOPPER	1
4	0061800	SUPPORT, LIDDER	1
5	0033700	SHAFT, HOPPER BRACE	2
6	0033801	RIGHT RAIL, LONG LIDDER HOPPER	1
7	0035100	STOP, BOX TUMBLER	1
8	0033300	FINGER, LIDDER STOP	1
~	0033301	FINGER, LIDDER STOP (REVERSE)	1
9	0048700	MOUNT, LOWER FINGER	2
10	0048800	FINGER, LOWER	2
11	0022502	SHOE, CENTER FLANGE FORMING	1
12	0033400	PLATE, LIDDER GUIDE	1
~	0033401	PLATE, LIDDER GUIDE	1
13	0062300	MOUNT, LIDDER FINGER	1
14	0028401	STUD, BRAKE SHOE	2
15	0055401	FINGER BASE #2,	1
16	0033600	FINGER, LIDDER OPENER	2
~	0033601	FINGER, LIDDER OPENER	2
~	0033602	FINGER, LIDDER OPENER	2
17	0033500	PLATE, FINGER SUPPORT	2
18	0031501	PLATE, AUX. COMPRESSION	4
20	0055402	FINGER #2 (MOVEABLE)	1
100	0203400	BUSHING	1
101	0700309	1/8 DIA. ROLL PIN	2
102	0206000	BUSHING	2
103	0205600	BUSHING	2
104	0202200	BUSHING, BRONZE	1
105	0205100	BUSHING	1
106	0501002	5/16 ROD END	1
107	0700308	5/32 DIA. ROLL PIN (CUT TO 1 3/4")	4
108	1201501	SPRING	2
109	0200900	BUSHING	8
110	0201800	BUSHING	1
111	0201900	BUSHING	1
112	1201700	SPRING	1
113	0204400	BUSHING	1
114	8036100	1/2" SAE FLAT WASHER	1
115	8008500	5/16-18 X 1 1/2 HEX HD BOLT	1
116	8035800	5/16" SAE FLAT WASHER	1

~ = VARIABLE PART

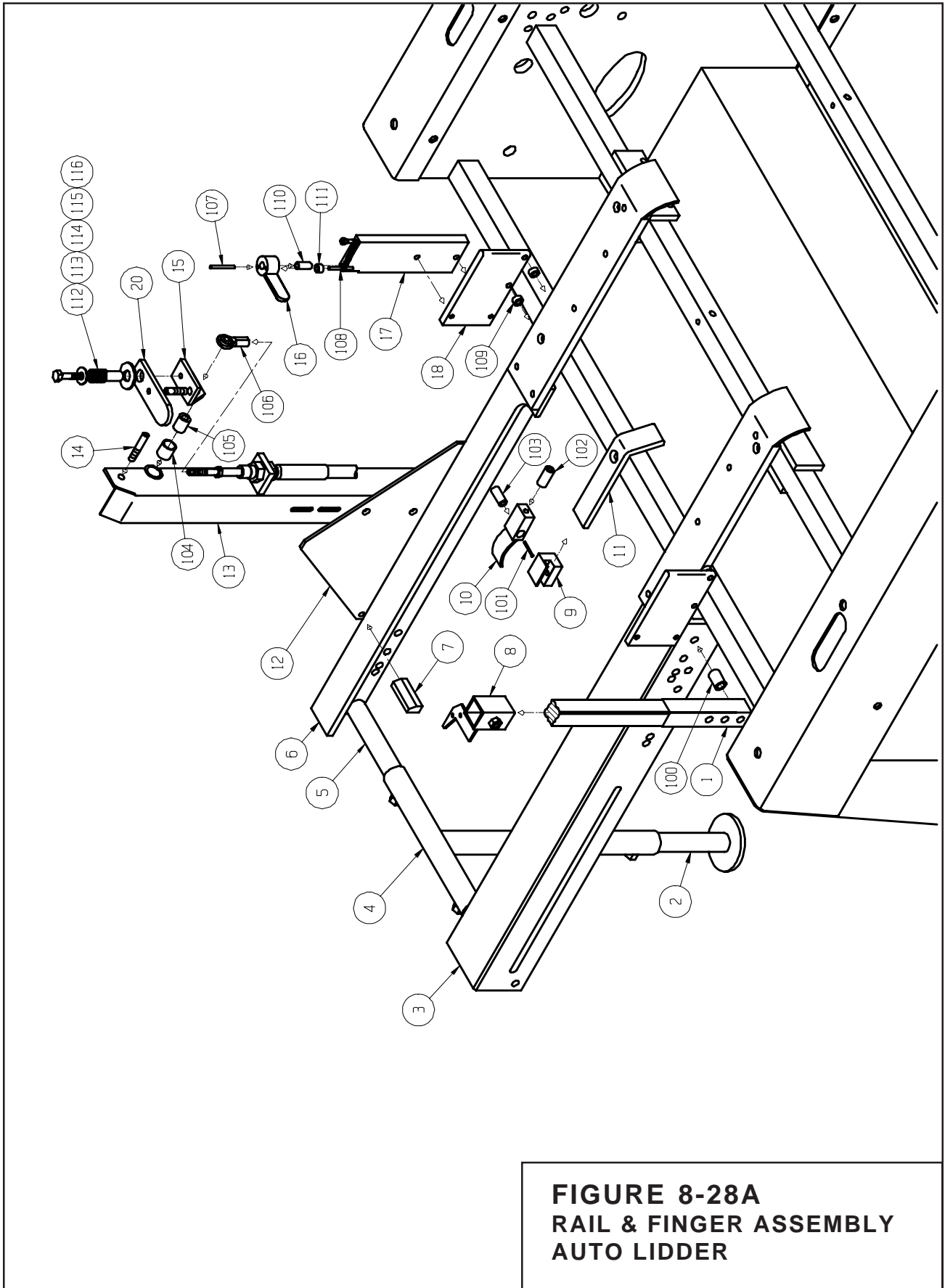


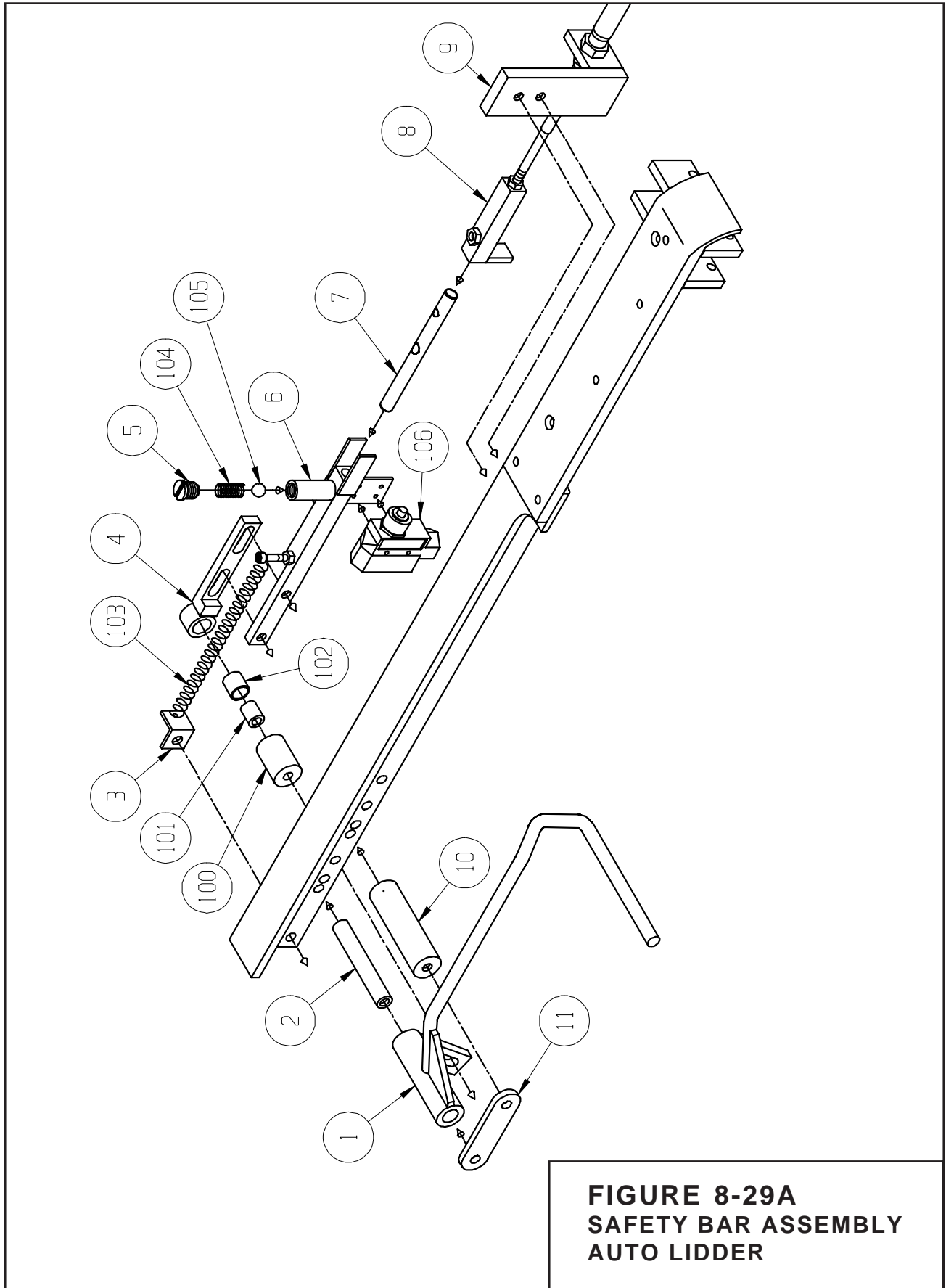
FIGURE 8-28A
RAIL & FINGER ASSEMBLY
AUTO LIDDER

Tray Box Former



FIGURE 8-29A SAFETY BAR ASSEMBLY BLISS LIDDER

ITEM	PART NO.	DESCRIPTION	QTY.
1	0034904	ARM, BOX TUMBLER	1
2	0035000	PIN, BOX TUMBLER ARM	1
3	0039400	BRACKET, SPRING RETURN	1
4	0039900	END ADJ BRACKET, LIDDER	1
5	0010401	PLUG, DETENT SPRING	1
6	0016203	BAR, LIDDER SAFETY	1
7	0016000	ROD, FEED LINKAGE	1
8	0061100	KICKER, SAFETY LIDDER	1
9	0061600	BRACKET, KICKER CABLE	
10	0051600	SPACER, TUMBLER	1
11	0051500	BAR, TUMBLER	1
100	0209500	BUSHING	1
101	0206400	BUSHING	1
102	0202200	BUSHING, BRONZE	1
103	1202500	SPRING, LIDDER	1
104	1201200	SPRING, BALL DETENT	1
105	0010301	BALL, DETENT SAFETY	1
106	0400202	MICRO SAFETY SWITCH	1



Tray Box Former



FIGURE 8-30A HOPPER & CUP ASSEMBLY AUTO LIDDER

ITEM	PART NO.	DESCRIPTION	QTY.
1	0037601	BRACE, LID HOPPER	1
2	0037700	SUPPORT, LONG END HOPPER	1
3	0020800	ROD, END HOPPER SPREADER	1
4	0032300	LEFT RAIL, LID HOPPER SIDE	1
5	0034300	PLATE, RAIL HOPPER CLAMP	1
6	1808701	1/4" AIR TEE	1
7	0034400	SHAFT, LIDDER SUCTION CUP	1
8	0035200	ARM, LIDDER CUP MTG	1
9	0037400	SHIM, LIDDER HOPPER	1
10	0032301	RIGHT RAIL, LID HOPPER SIDE	1
11	0062700	MOUNT, CUP CABLE LIDDER	1
12	0076700	BRACKET, SPRING MOUNT	1
13	0034500	ARM, LID OPEN CON ROD	1
14	0041800	MOUNT, SPRING ADJUSTING	A/N
100	0100500	SET COLLAR, 3/4"	3
101	0208700	BUSHING, BRONZE	2
103	1804000	90 DEGREE ELBOW	2
104	0037300	3/8 POLY FLOW TUBING	1
105	0041604	VACUUM CUP, BLUE VICAS	1
106	1201900	SPRING	1
107	0501002	5/16 ROD END	1
108	0900201	3/16 SQUARE KEY	1
109	0100400	SET COLLAR	1
110	0056002	CABLE- LID CUP (SB)	REF
~	0056003	CABLE- LID CUP (WB)	REF
111	0204100	BUSHING	1

NOTE:

A/N = AS NEEDED

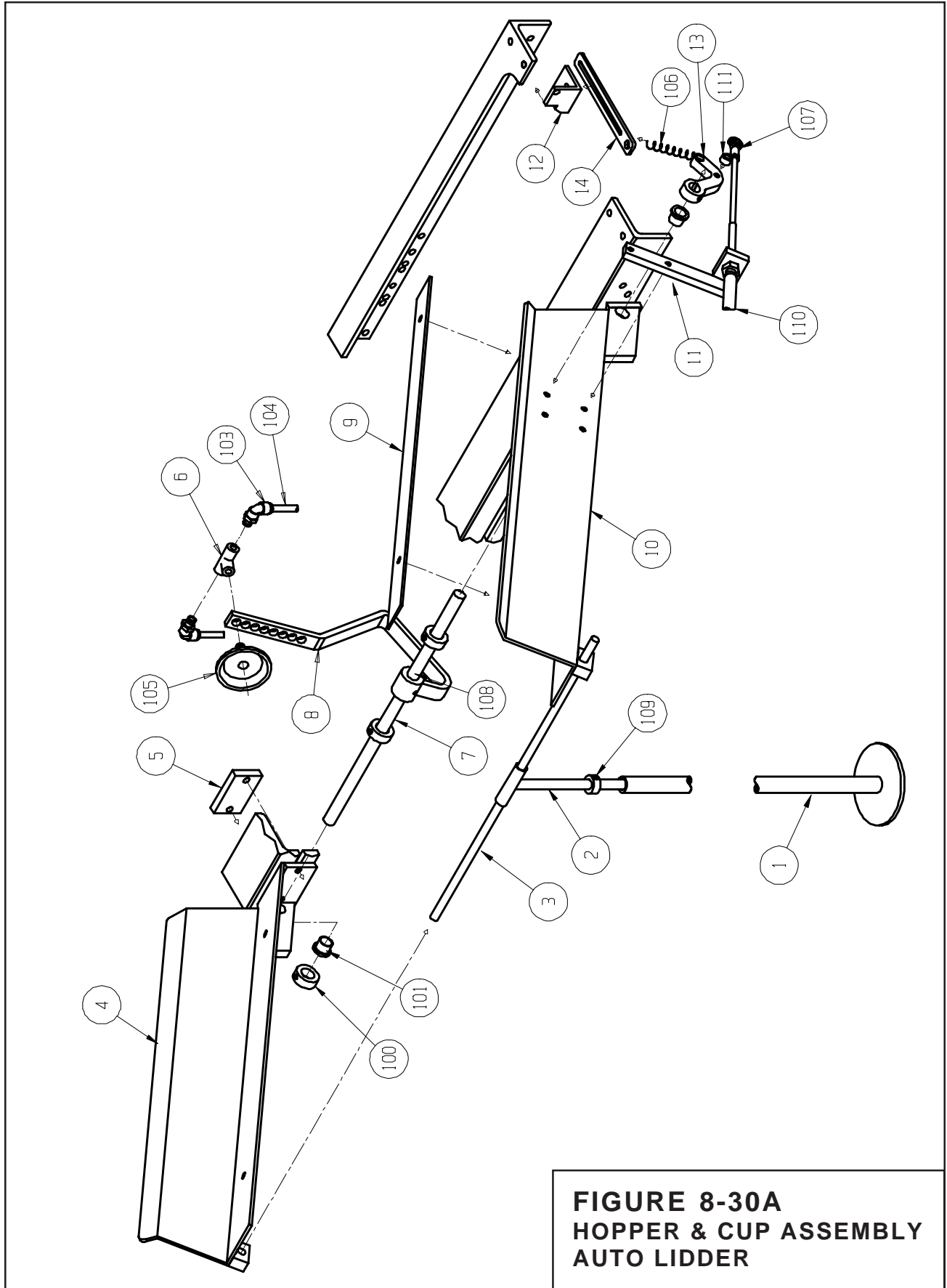


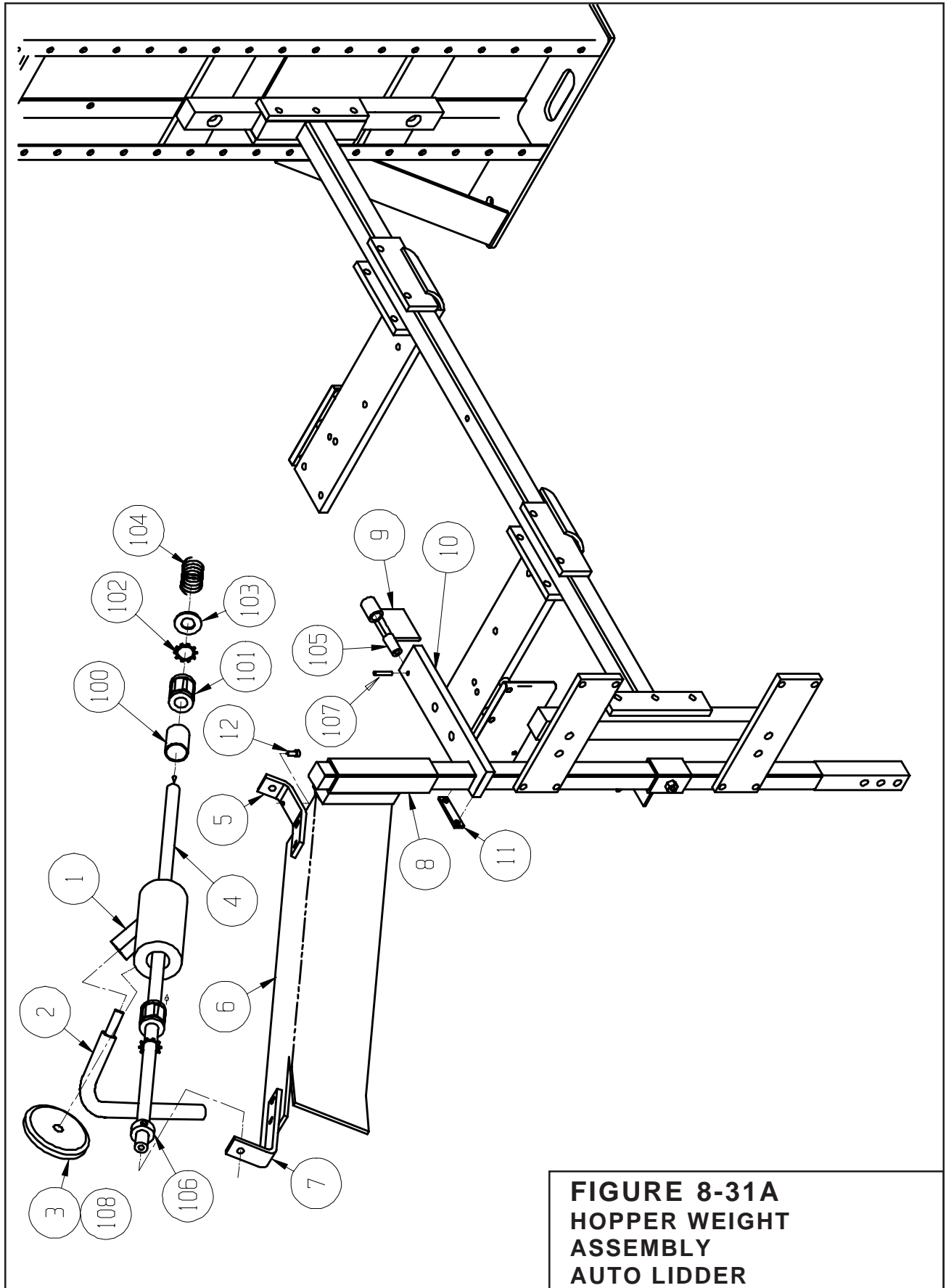
FIGURE 8-30A
HOPPER & CUP ASSEMBLY
AUTO LIDDER

Tray Box Former



FIGURE 8-31A HOPPER WEIGHT ASSEMBLY AUTO LIDDER

ITEM	PART NO.	DESCRIPTION	QTY.
1	0026501	WEIGHT, END HOPPER	1
2	0063100	FINGER, BOX LIDDER PUSHER	1
3	0036100	ROLLER, WEIGHT LIDDER	1
4	0026602	ROD, LOWER WEIGHT LIDDER	1
5	0062900	MOUNT, WEIGHT LIDDER	1
6	0032400	GUIDE, LID HOPPER	1
7	0063000	MOUNT, UPPER WEIGHT LIDDER	1
8	0032600	BRACKET, HOPPER GUIDE	1
9	0033200L	FINGER, LID FLAP OPENER	1
10	0033002	BAR, FINGER MOUNT	1
11	0033100	STRAP, FINGER MTG BAR	1
12	0041900	SCREW, MATT SUPPORT	1
100	0207200	BUSHING	1
101	0047101	BEARING	2
102	0047201	RETAINER	2
103		5/8 SAE FLAT WASHER	1
104	1202600	SPRING	1
105	0206000	BUSHING	1
106	0100400	5/8 SET COLLAR	1
107	0700307	ROLL PIN 1.0" LG	1
108	0209900	BUSHING	1



Tray Box Former



FIGURE 8-32A CAM-LEVER ASSEMBLY KICKER/FINGER CABLES AUTO LIDDER

ITEM	PART NO.	DESCRIPTION	QTY.
1	0061000	LEVER, CABLE PULL	2
2	0062100	CAM, FINGER CABLE	1
3	0040100	CABLE BRACKET, AUTO LIDDER	1
4	0061501	BAR, LOWER MOUNT	1
5	0012801	CLAMP	2
6	0062000	CAM, KICKER CABLE	1
100	0500700	CAM FOLLOWER, 1 3/8	2
101	0209200	BUSHING, SLEEVE	2
102	0074300	BUSHING, LEVER	2
103	0056100	5/16 CABLE, FINGER CLAMP (2-90)	1
104	0056200	5/16 CABLE, KICKER (2-65)	1
105	1500600	WASHER	2
106	0501002	5/16 ROD END	2
107	1202700	SPRING	2

**ASSEMBLY MOUNTED ON THE
RIGHT SIDE OF MACHINE.**

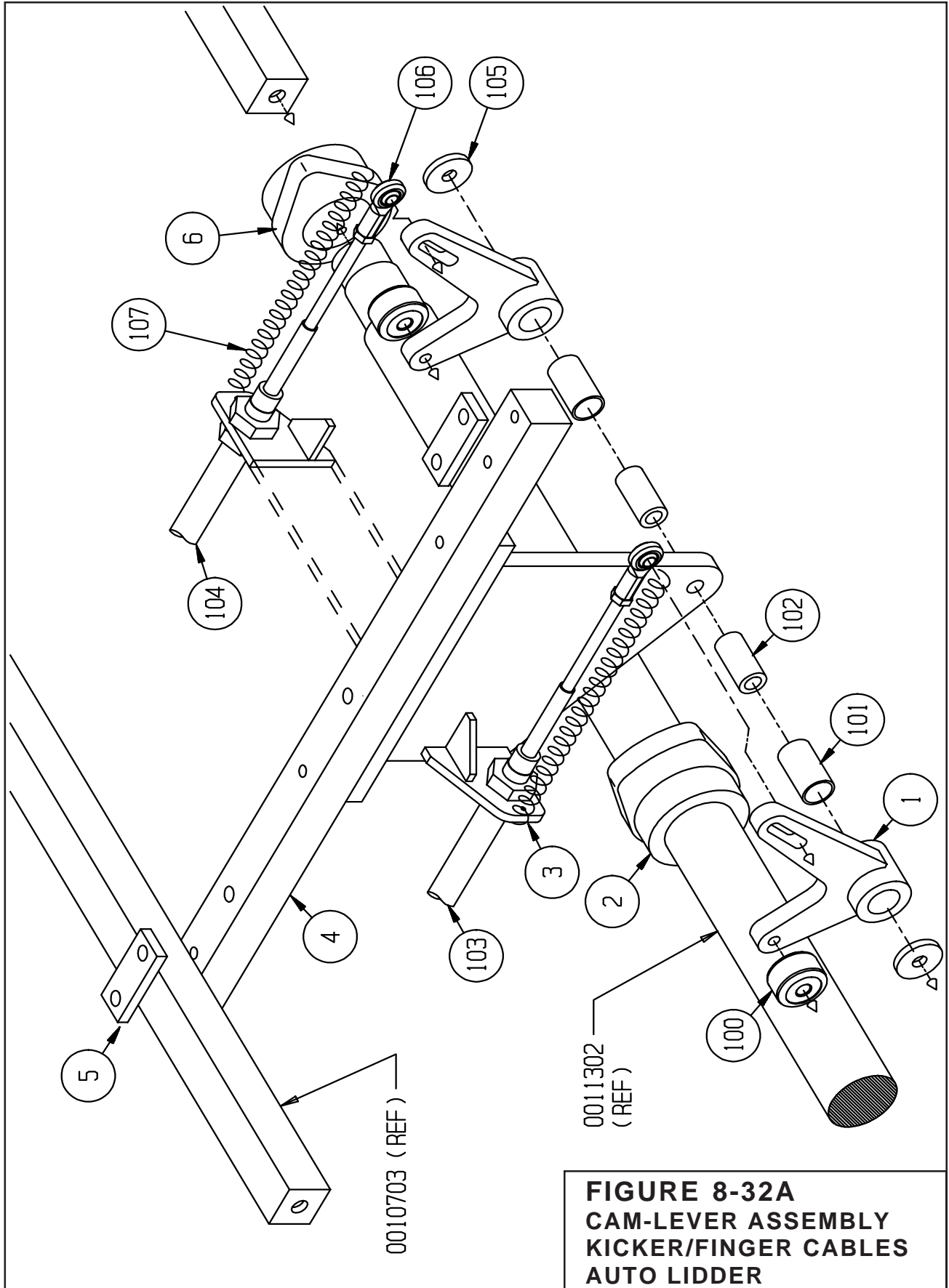


FIGURE 8-32A
CAM-LEVER ASSEMBLY
KICKER/FINGER CABLES
AUTO LIDDER

Tray Box Former



FIGURE 8-33A CAM-LEVER CUP ASSEMBLY SPREADER MOUNT AUTO LIDDER

ITEM	PART NO.	DESCRIPTION	QTY.
1	0015803	CAM, CUP CABLE LIDDER	1
2	0040900	STRAP, PICK LEVER	1
3	0060901	LINKAGE, CAM ARM LIDDER	1
4	0040801	BLOCK, MATT PICK STRIP	2
5	0079205	BRACKET, CABLE	1
6	0079901	BLOCK, BOLTING	1
100	0500700	CAM FOLLOWER, 1 3/8	1
101	0200100	BUSHING, BRONZE	1
102	0203000	BUSHING	1
103	0056002	CABLE LIDDER (SB) (5/16-3-132)	1
~	0056003	CABLE LIDDER (WB) (5/16-3-132)	1
104	0501002	5/16 ROD END	1
105	1202700	SPRING	1

**ASSEMBLY MOUNTED ON THE
RIGHT SIDE OF MACHINE.**

~ = VARIABLE PART

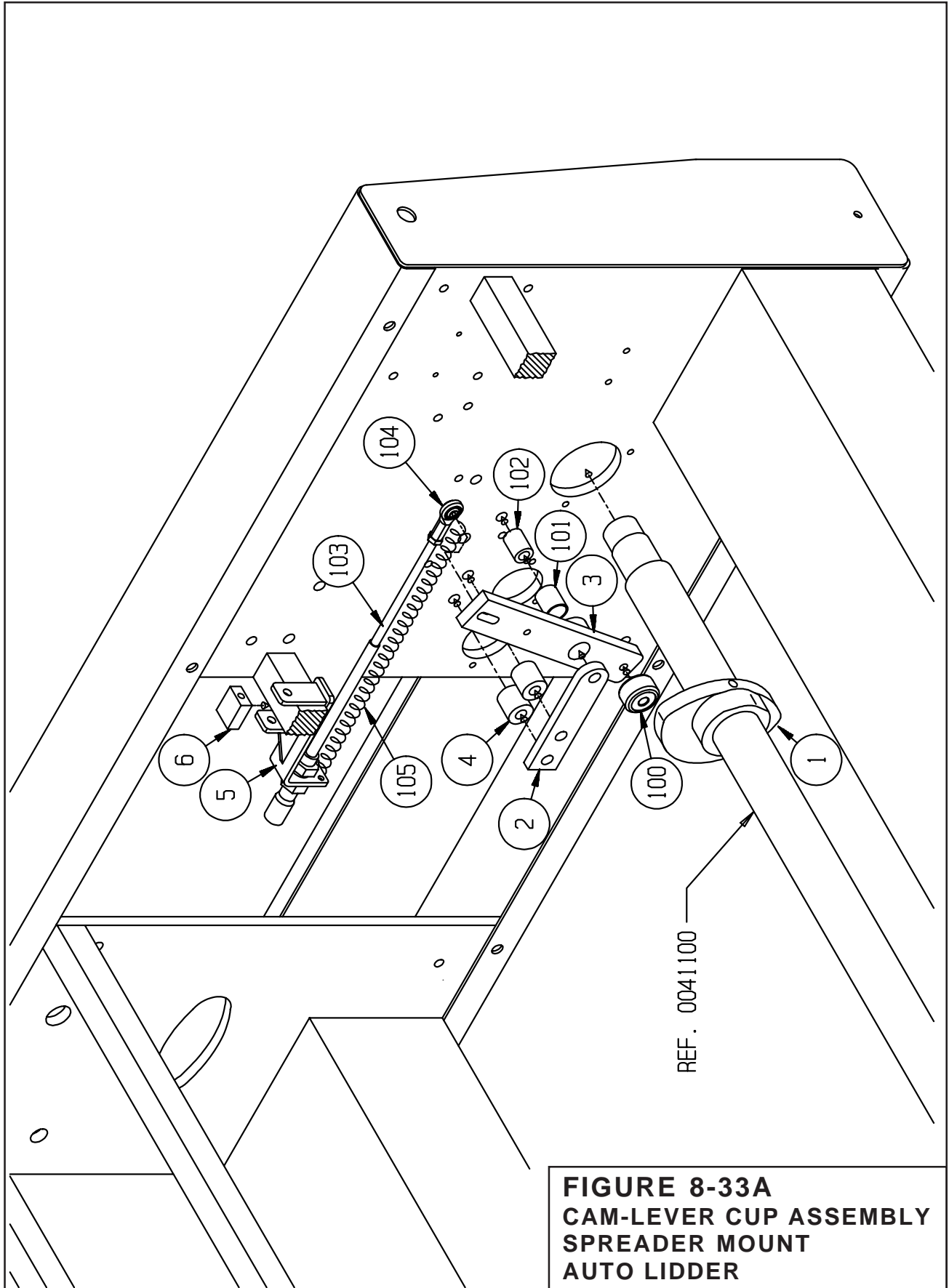


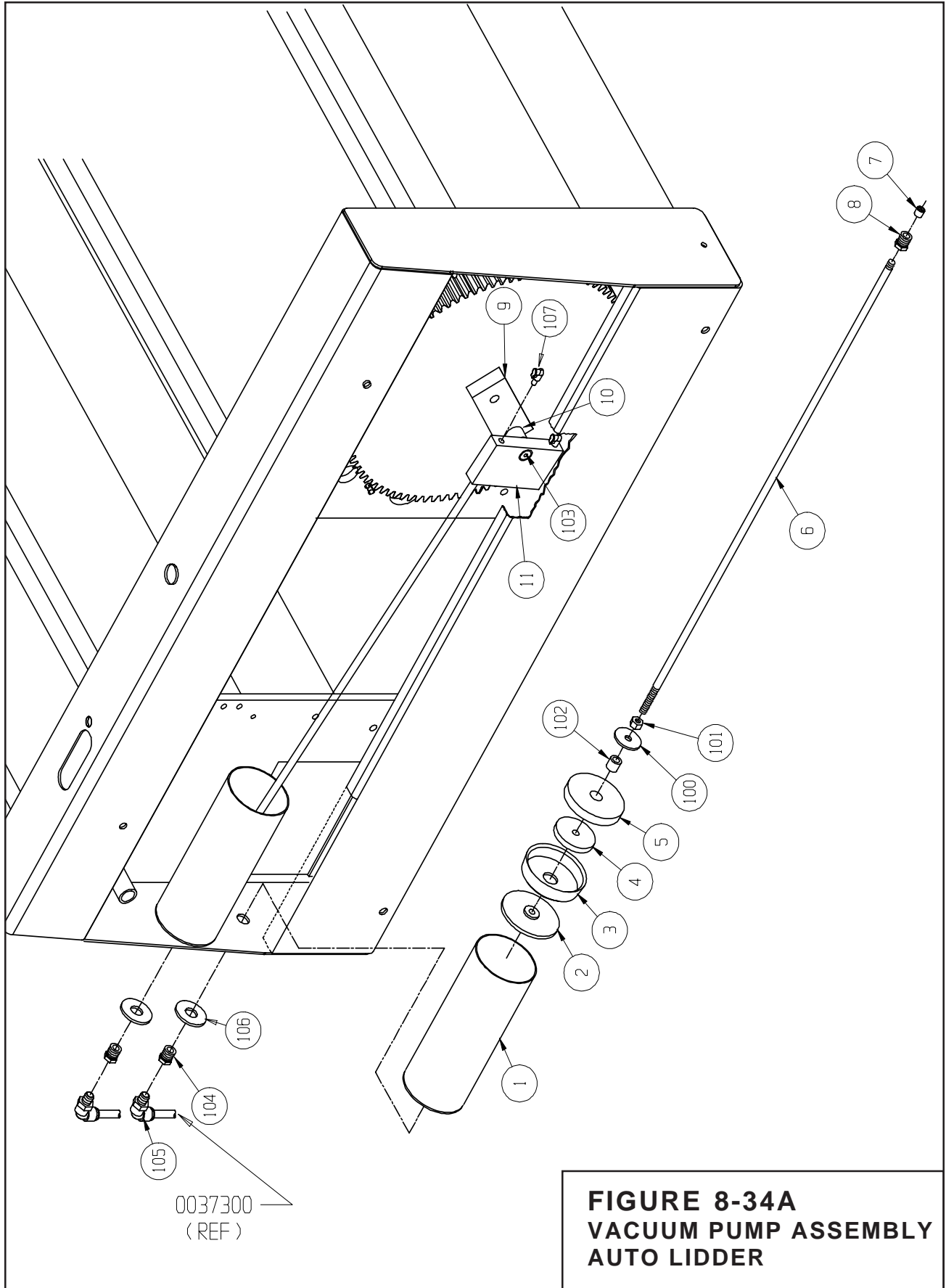
FIGURE 8-33A
CAM-LEVER CUP ASSEMBLY
SPREADER MOUNT
AUTO LIDDER

Tray Box Former



FIGURE 8-34A VACUUM PUMP ASSEMBLY AUTO LIDDER

ITEM	PART NO.	DESCRIPTION	QTY.
1	0036300	CYLINDER, VACUUM LIDDER	2
2	0036400	PLATE, RUBBER CUP MTG	2
3	0036500	CUP, VACUUM CYLINDER	2
4	0036600	WASHER, CUP CLAMP	2
5	0037200	FELT, WASHER VACUUM CUP	2
6	0036700	ROD, CON SUCTION CUP	2
7	0036800	NUT, CUP CON ROD	2
8	0036900	SLEEVE	2
9	0037100	CRANK, SUCTION CUP	1
10	0037000	PIN, SUCTION CUP CRANK	1
11	0040300	BLOCK, SUCTION CUP	1
100	1500800	WASHER	2
101		3/8-24 STD HEX HD NUT	2
102	0200800	BUSHING	2
103	0202200	BUSHING, BRONZE	1
104	1808800	BUSHING, THREADED	2
105	1804000	90 DEGREE ELBOW	2
106		5/8 SAE FLAT WASHER	2
107	1808100	OIL CUP	2



Tray Box Former



Parts List & Illustrations

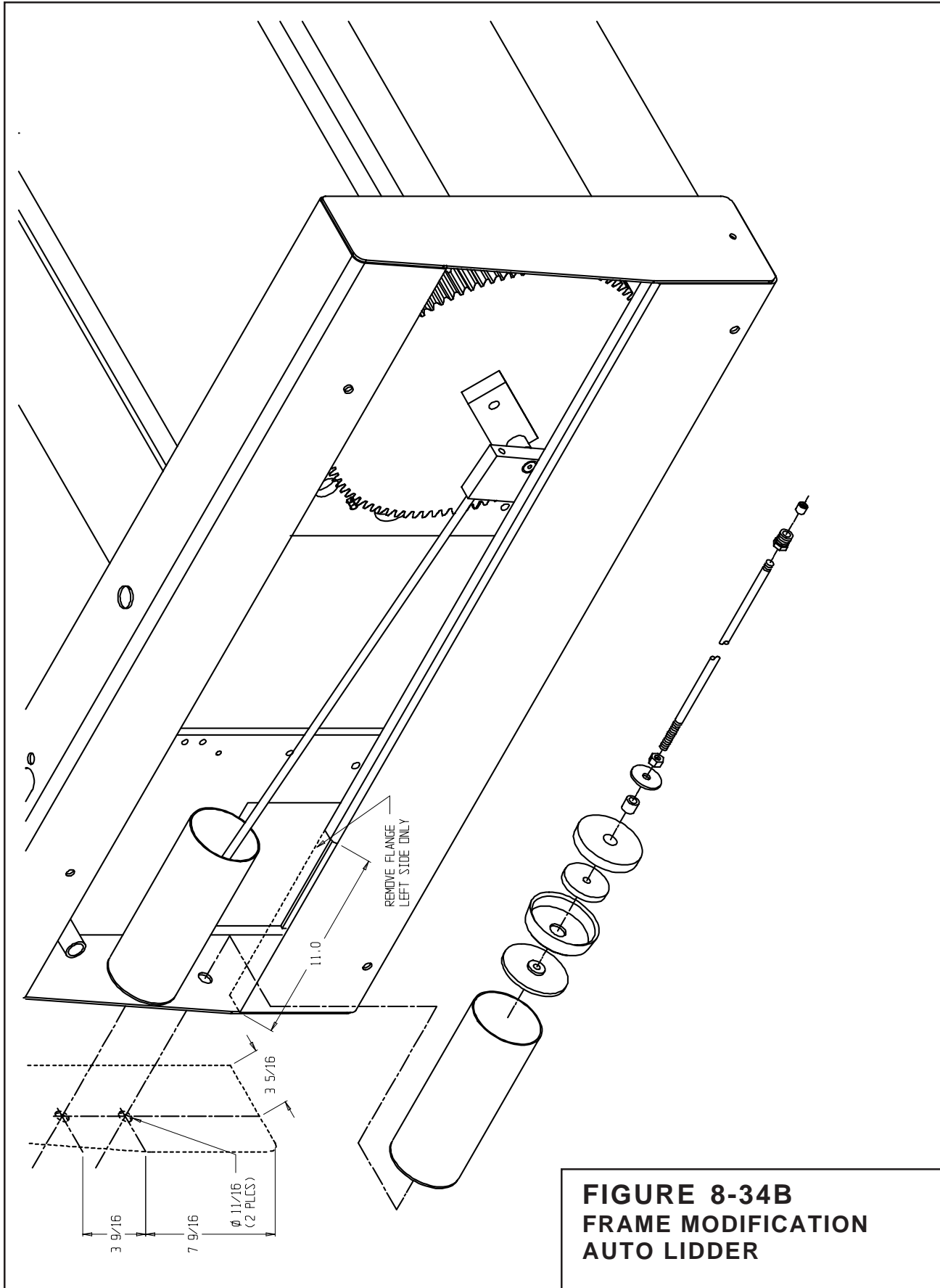


FIGURE 8-34B
FRAME MODIFICATION
AUTO LIDDER